



TRANSPORTATION CABINET

Frankfort, Kentucky 40622
www.transportation.ky.gov/

Steven L. Beshear
Governor

Michael W. Hancock, P.E.
Secretary

May 22, 2013

CALL NO. 306
CONTRACT ID NO. 131025
ADDENDUM # 1

Subject: Pulaski County, FD04 SPP 100 0080 018-022
Letting May 24, 2013

- (1) Revised - Typical Section - Pages 27-28 of 153
- (2) Revised - Bid Items - Pages 152-153 of 153

Proposal revisions are available at <http://transportation.ky.gov/Construction-Procurement/>.

If you have any questions, please contact us at 502-564-3500.

Sincerely,

A handwritten signature in blue ink that reads "Ryan Griffith".

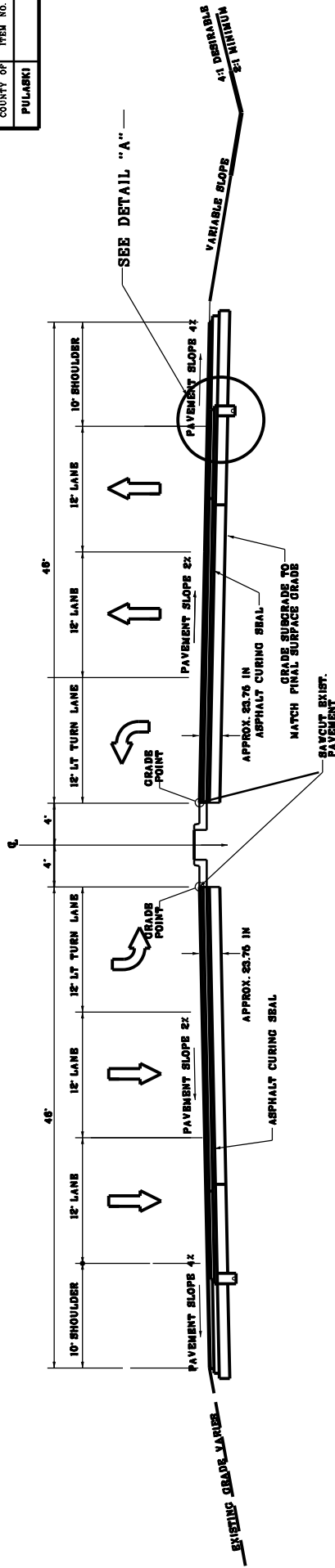
Ryan Griffith
Acting Director
Division of Construction Procurement

RG:ks
Enclosures



An Equal Opportunity Employer M/F/D

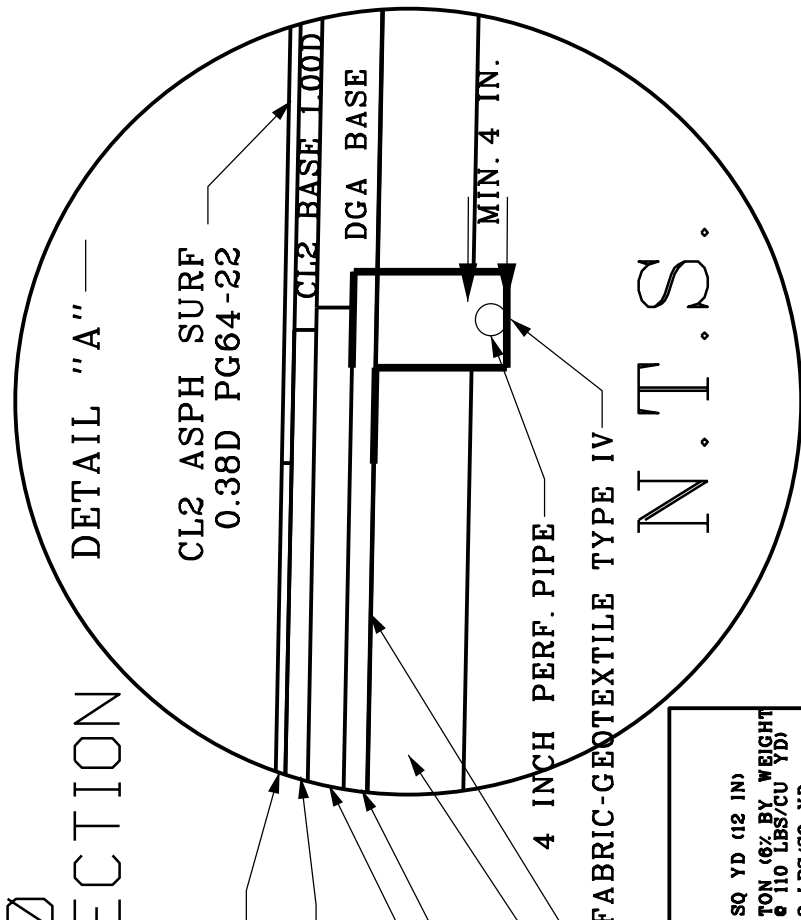
COUNTY OF	ITEM NO.	DEPT. NO.
PULASKI		



KY 80 TYPICAL SECTION

SCALE: 1"=5'

PAVEMENT SCHEDULE	
ROADBED PREPARATION (MAINLINE AND SHOULDERS) FULL DEPTH RECLAMATION (FDR) 12 INCHES CEMENT ADDED	
TRAFFIC LANES	
DRAINAGE BLANKET	3 INCHES
CL3 ASPH BASE 1.00D PG64-22	4.5 INCHES
CL3 ASPH BASE 1.00D PG76-22	3 INCHES
CL3 ASPH SURF 0.38A PG76-22	1.25 INCHES
OUTSIDE SHOULDERS	
DGA BASE	7.5 INCHES
CL2 ASPH BASE 1.00D PG64-22	3.0 INCHES
CL2 ASPH SURF 0.38D PG64-22	1.25 INCHES

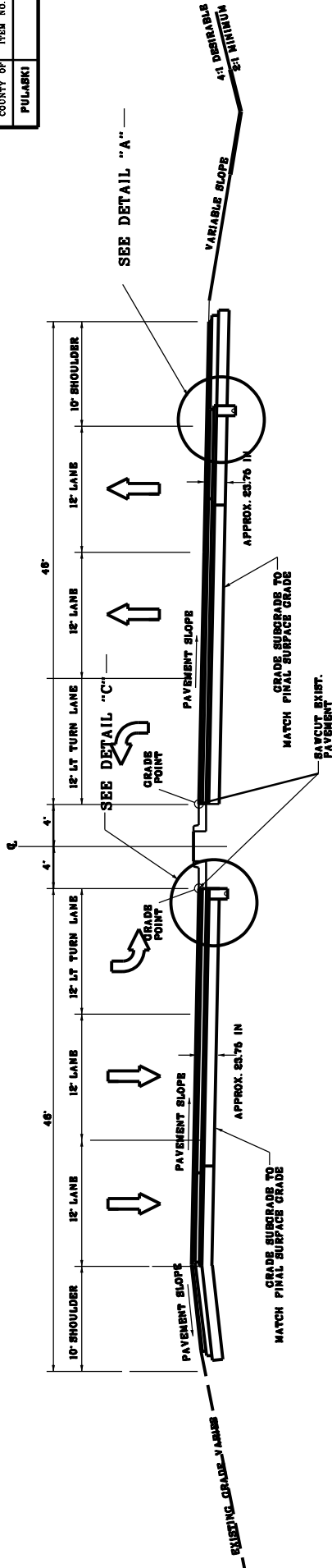


ROADBED PREPARATION	
CEMENT STABILIZED ROADBED	SQ YD (12 IN)
CEMENT	TON (6% BY WEIGHT @ 110 LBS/CU YD)
ASPHALT CURING SEAL	2 LBS/SQ YD
SAND FOR BLOTTER	5 LBS/SQ YD

- NOTES**
- FINAL CROSS SLOPES SHALL BE 2% FOR MAINLINE LANES AND 4% FOR OUTSIDE SHOULDERS IN TANGENT SECTIONS.
 - EXTEND THE FDR TO THE FULL WIDTH OF EXISTING OUTSIDE SHOULDER PAVEMENT PLUS 12 IN.
 - PAVE TO FULL WIDTH OF EXISTING PAVEMENT.
 - LONGITUDINAL SAWCUT SHALL BE CONSIDERED INCIDENTAL TO CONSTRUCTION OF THE PAVEMENT.
 - GRADE PERF PIPE EDGE TO DRAIN. THE ENGINEER WILL DETERMINE THE LOCATION OF THE PERF. PIPE HEADWALLS.
 - FINAL SURFACE TO BE PLACED AT CONCLUSION OF PROJECT.

TYPICAL SECTION
KY 80
MAINLINE

COUNTY OF	ITEM NO.	DIST. NO.
PULASKI		



KY 80 TYPICAL SECTION

SCALE: 1"=5'

PAVEMENT SCHEDULE	
ROADBED PREPARATION (MAINLINE AND SHOULDERS)	
FULL DEPTH RECLAMATION (FDR)	12 INCHES CEMENT ADDED
TRAFFIC LANES	
DRAINAGE BLANKET	3 INCHES
CL3 ASPH BASE 1.00D PG64-22	4.5 INCHES
CL3 ASPH BASE 1.00D PG76-22	3 INCHES
CL3 ASPH SURF 0.38A PG76-22	1.25 INCHES
OUTSIDE SHOULDERS	
DGA BASE	7.5 INCHES
CL2 ASPH BASE 1.00D PG64-22	3.0 INCHES
CL2 ASPH SURF 0.38D PG64-22	1.25 INCHES

CL3 ASPH SURF
0.38A PG76-22
CL3 ASPH BASE
1.00D PG76-22
CL3 ASPH BASE
1.00D PG64-22

DRAINAGE BLANKET
TYPE II - ASPH

FULL DEPTH RECLAMATION

ASPHALT CURING SEAL

N.T.S.

ROADBED PREPARATION	
CEMENT STABILIZED ROADBED	SQ YD (12 IN)
CEMENT	TON (6% BY WEIGHT @ 110 LBS/CU YD)
ASPHALT CURING SEAL	2 LBS/SQ YD
SAND FOR BLOTTER	5 LBS/SQ YD

NOTES

- MATCH EXISTING CROSSSLOPE IN SUPERELEVATED SECTIONS
- EXTEND THE FDR TO THE FULL WIDTH OF EXISTING OUTSIDE SHOULDER PAVEMENT PLUS 12 IN.
- PAVE TO FULL WIDTH OF EXISTING PAVEMENT.
- LONGITUDINAL SAWCUT SHALL BE CONSIDERED INCIDENTAL TO CONSTRUCTION OF THE PAVEMENT.
- GRADE PERF PIPE EDGE TO DRAIN THE ENGINEER WILL DETERMINE THE LOCATION OF THE PERF. PIPE HEADWALLS
- FINAL SURFACE TO BE PLACED AT CONCLUSION OF PROJECT

TYPICAL SECTION (SUPER ELEVATED)
KY 80
MAINLINE

131025

PROPOSAL BID ITEMS

Page 1 of 2

Report Date 5/22/13

Section: 0001 - PAVING

LINE	BID CODE	ALT	DESCRIPTION	QUANTITY	UNIT	UNIT PRICE	FP	AMOUNT
0010	00018		DRAINAGE BLANKET-TYPE II-ASPH	12,084.00	TON		\$	
0020	00190		LEVELING & WEDGING PG64-22	367.00	TON		\$	
0030	00212		CL2 ASPH BASE 1.00D PG64-22(REVISED: 5-22-13)	4,492.00	TON		\$	
0040	00214		CL3 ASPH BASE 1.00D PG64-22	20,295.00	TON		\$	
0050	00216		CL3 ASPH BASE 1.00D PG76-22	12,936.00	TON		\$	
0060	00301		CL2 ASPH SURF 0.38D PG64-22	1,925.00	TON		\$	
0070	00336		CL3 ASPH SURF 0.38A PG76-22	5,390.00	TON		\$	

Section: 0002 - ROADWAY

LINE	BID CODE	ALT	DESCRIPTION	QUANTITY	UNIT	UNIT PRICE	FP	AMOUNT
0080	00001		DGA BASE(REVISED: 5-22-13)	10,186.00	TON		\$	
0090	00008		CEMENT STABILIZED ROADBED12 IN DEPTH	98,664.00	SQYD		\$	
0100	00071		CRUSHED AGGREGATE SIZE NO 57	1,127.00	TON		\$	
0110	00078		CRUSHED AGGREGATE SIZE NO 2	41.00	TON		\$	
0120	00080		CRUSHED AGGREGATE SIZE NO 23	3,601.00	TON		\$	
0130	00358		ASPHALT CURING SEAL	99.00	TON		\$	
0140	01000		PERFORATED PIPE-4 IN	24,173.00	LF		\$	
0150	01010		NON-PERFORATED PIPE-4 IN	550.00	LF		\$	
0160	01015		INSPECT & CERTIFY EDGE DRAIN SYSTEM	1.00	LS		\$	
0170	01020		PERF PIPE HEADWALL TY 1-4 IN	12.00	EACH		\$	
0180	01024		PERF PIPE HEADWALL TY 2-4 IN	8.00	EACH		\$	
0190	01028		PERF PIPE HEADWALL TY 3-4 IN	5.00	EACH		\$	
0200	01032		PERF PIPE HEADWALL TY 4-4 IN	16.00	EACH		\$	
0210	01705		REMOVE CURB & GUTTER BOX INLET	1.00	EACH		\$	
0220	01740		CORED HOLE DRAINAGE BOX CON-4 IN	13.00	EACH		\$	
0230	01810		STANDARD CURB AND GUTTER	542.00	LF		\$	
0240	01812		REMOVE CURB AND GUTTER	542.00	LF		\$	
0250	01982		DELINEATOR FOR GUARDRAIL MONO DIRECTIONAL WHITE	125.00	EACH		\$	
0260	02014		BARRICADE-TYPE III	16.00	EACH		\$	
0270	02200		ROADWAY EXCAVATION	41,336.00	CUYD		\$	
0280	02360		GUARDRAIL TERMINAL SECTION NO 1	1.00	EACH		\$	
0290	02363		GUARDRAIL CONNECTOR TO BRIDGE END TY A	4.00	EACH		\$	
0300	02367		GUARDRAIL END TREATMENT TYPE 1	1.00	EACH		\$	
0310	02369		GUARDRAIL END TREATMENT TYPE 2A	13.00	EACH		\$	
0320	02371		GUARDRAIL END TREATMENT TYPE 7	4.00	EACH		\$	
0330	02381		REMOVE GUARDRAIL	8,938.00	LF		\$	
0340	02542		CEMENT	2,930.00	TON		\$	
0350	02562		TEMPORARY SIGNS	1,200.00	SQFT		\$	
0360	02599		FABRIC-GEOTEXTILE TYPE IV	25,406.00	SQYD		\$	
0370	02650		MAINTAIN & CONTROL TRAFFIC	1.00	LS		\$	
0380	02653		LANE CLOSURE	20.00	EACH		\$	
0390	02671		PORTABLE CHANGEABLE MESSAGE SIGN	10.00	EACH		\$	
0400	02702		SAND FOR BLOTTER	334.00	TON		\$	

131025

PROPOSAL BID ITEMS

Page 2 of 2

Report Date 5/22/13

LINE	BID CODE	ALT	DESCRIPTION	QUANTITY	UNIT	UNIT PRICE	FP	AMOUNT
0410	02726		STAKING	1.00	LS		\$	
0420	02775		ARROW PANEL	4.00	EACH		\$	
0430	06510		PAVE STRIPING-TEMP PAINT-4 IN	62,700.00	LF		\$	
0440	06514		PAVE STRIPING-PERM PAINT-4 IN	62,700.00	LF		\$	
0450	06568		PAVE MARKING-THERMO STOP BAR-24IN	369.00	LF		\$	
0460	06569		PAVE MARKING-THERMO CROSS-HATCH	1,561.00	SQFT		\$	
0470	06573		PAVE MARKING-THERMO STR ARROW	1.00	EACH		\$	
0480	06574		PAVE MARKING-THERMO CURV ARROW	33.00	EACH		\$	
0490	06575		PAVE MARKING-THERMO COMB ARROW	7.00	EACH		\$	
0500	06589		PAVEMENT MARKER TYPE V-MW	325.00	EACH		\$	
0510	06600		REMOVE PAVEMENT MARKER TYPE V	325.00	EACH		\$	
0520	10020NS		FUEL ADJUSTMENT	113,472.00	DOLL	\$1.00	\$	\$113,472.00
0530	10030NS		ASPHALT ADJUSTMENT	187,067.00	DOLL	\$1.00	\$	\$187,067.00
0540	20997ED		REMOVE TRAFFIC ISLAND	378.00	SQYD		\$	
0550	21802EN		G/R STEEL W BEAM-S FACE (7 FT POST)	8,938.00	LF		\$	
0560	23143ED		KPDES PERMIT AND TEMP EROSION CONTROL	1.00	LS		\$	
0570	23562EC		DROP BOX INLET TYPE 12A MODIFIED	15.00	LF		\$	

Section: 0003 - TRAFFIC LOOPS

LINE	BID CODE	ALT	DESCRIPTION	QUANTITY	UNIT	UNIT PRICE	FP	AMOUNT
0580	04793		CONDUIT-1 1/4 IN	380.00	LF		\$	
0590	04795		CONDUIT-2 IN	80.00	LF		\$	
0600	04811		ELECTRICAL JUNCTION BOX TYPE B	10.00	EACH		\$	
0610	04820		TRENCHING AND BACKFILLING	200.00	LF		\$	
0620	04830		LOOP WIRE	10,600.00	LF		\$	
0630	04850		CABLE-NO. 14/1 PAIR	2,500.00	LF		\$	
0640	04895		LOOP SAW SLOT AND FILL	3,320.00	LF		\$	
0650	20360ES818		WOOD POST	8.00	EACH		\$	
0660	20391NS835		ELECTRICAL JUNCTION BOX TYPE A	8.00	EACH		\$	
0670	20468EC		ELECTRICAL JUNCTION BOX-10 X 8 X 4	8.00	EACH		\$	

Section: 0004 - MOB AND DEMOB

LINE	BID CODE	ALT	DESCRIPTION	QUANTITY	UNIT	UNIT PRICE	FP	AMOUNT
0680	02568		MOBILIZATION	1.00	LS		\$	
0690	02569		DEMOBILIZATION	1.00	LS		\$	